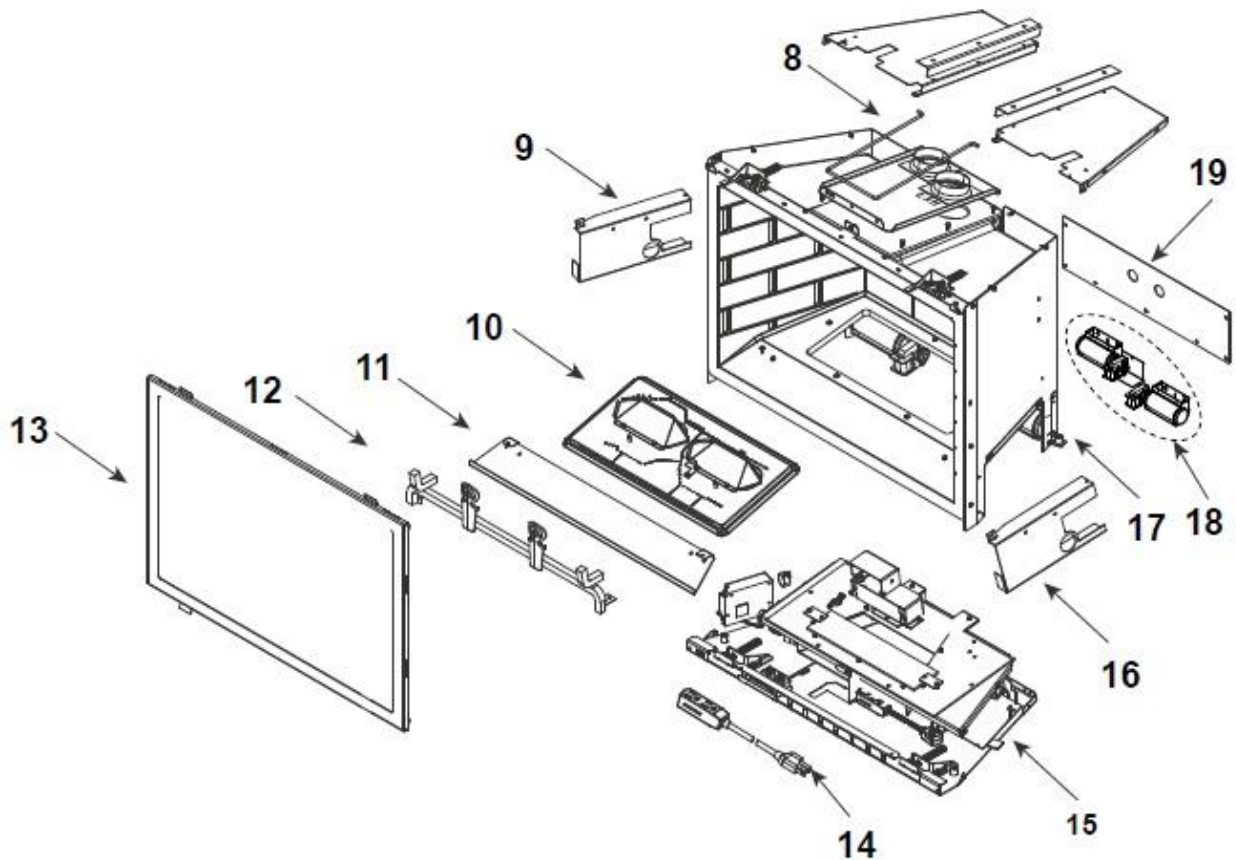
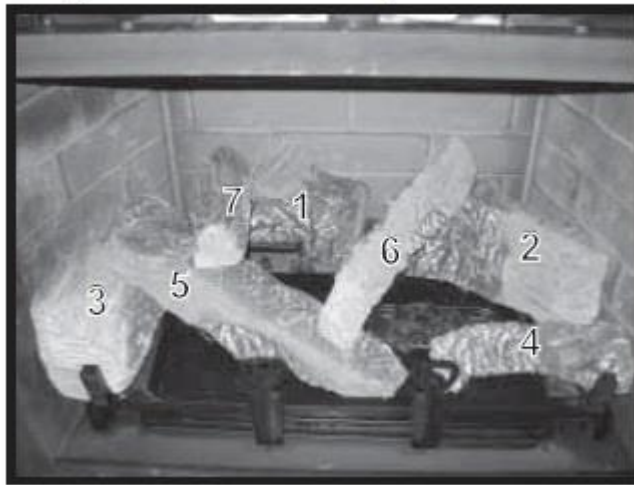


Quadra-Fire QFI30FB Fireplace Insert

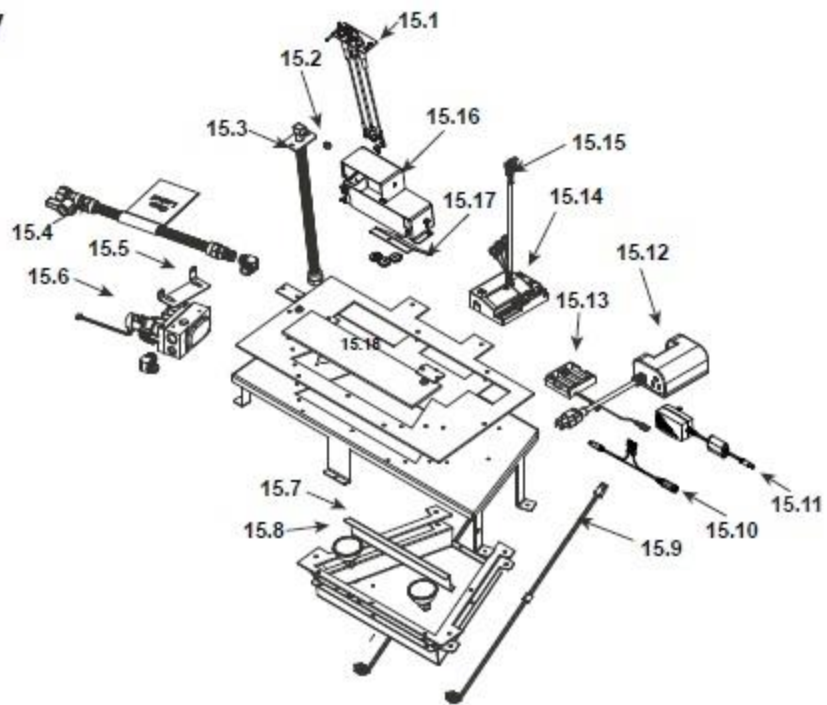
Log Set Assembly



Woodman's Parts Plus
www.woodmanspartsplus.com

| ITEM | DESCRIPTION | COMMENTS | PART NUMBER |
|------|----------------------------|-----------|----------------------------|
| | Log Assembly | | LOGS-QFI30FB |
| 1 | Log 1 | | SRV2221-703 |
| 2 | Log 2 | | SRV2221-701 |
| 3 | Log 3 | | SRV2221-702 |
| 4 | Log 4 | | SRV2221-706 |
| 5 | Log 5 | | SRV2221-704 |
| 6 | Log 6 | | SRV2221-705 |
| 7 | Log 7 | | SRV2221-707 |
| 8 | Termination Plate Assembly | | 2201-012 |
| | Gasket, Termination Plate | | 2201-401 |
| | Slide Plate Handle | | 2019-201 |
| 9 | Module Bracket | | 2201-137 |
| 10 | Burner Assembly | | 2221-009 |
| 11 | Media Tray | | 2201-112 |
| 12 | Grate Assembly | | 2221-016 |
| 13 | Glass Door Assembly | | GLA-2201 |
| 14 | Power Cord Assembly | | 2201-024 |
| 15 | Valve Assembly | | Refer to valve page |
| 16 | Aux Bracket | | 2201-157 |
| 17 | RIV-NUT Bracket Assembly | Qty 2 req | 2201-027 |
| 18 | Blower Assembly | | GFK-210-C |
| 19 | Cover Plate, Back | | 2202-104 |

#15 Valve Assembly



| ITEM | DESCRIPTION | COMMENTS | PART NUMBER |
|-------|--------------------------|-----------|-------------|
| 15.1 | Pilot Assembly NG | | 2202-013 |
| | Pilot Assembly LP | | 2202-014 |
| 15.2 | Burner Orifice NG (#33C) | | 582-833 |
| | Burner Orifice LP (#50C) | | 582-850 |
| 15.3 | Flex Assembly | | 383-302A |
| 15.4 | Flex Ball Valve Assembly | | 2201-108 |
| 15.5 | Valve Bracket | | 2202-108 |
| 15.6 | Valve NG | | 2166-302 |
| | Valve LP | | 2166-303 |
| 15.7 | Air Passage Divider | | 2201-144 |
| 15.8 | Ember Bulb | Qty 2 req | 2201-150 |
| 15.9 | Light Wire Assembly | | 2201-011 |
| 15.10 | Reset Switch Wire | | 2326-135 |
| 15.11 | Transformer, 6 Volt Wall | | 2326-131 |
| 15.12 | Auxilliary Box | | 2166-335 |
| | AUX Extension Wire | | 2201-155 |
| 15.13 | **Battery Pack | | 2166-323 |
| 15.14 | Module | | 2166-307 |
| 15.15 | Wire Assembly | | 2201-304 |
| 15.16 | Pilot Bracket | | 2201-025 |
| 15.17 | Air Scoop | | 2201-156 |
| 15.18 | Ember Glass | | 2201-115 |

